



AMCO

Estd 1986

AMCO INDUSTRIAL VALVES

● MANUFACTURERS ● EXPORTERS

2 PC. BALL VALVE SCREWED (150# / PN20)

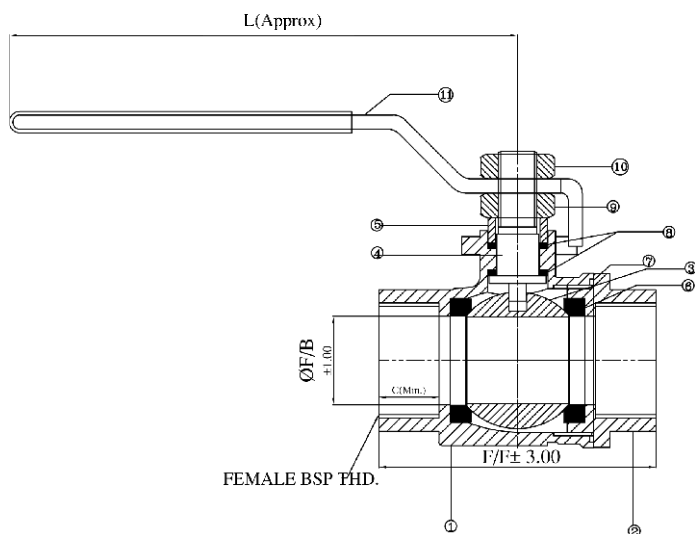
PRODUCT DATA SHEET

AIV - A01

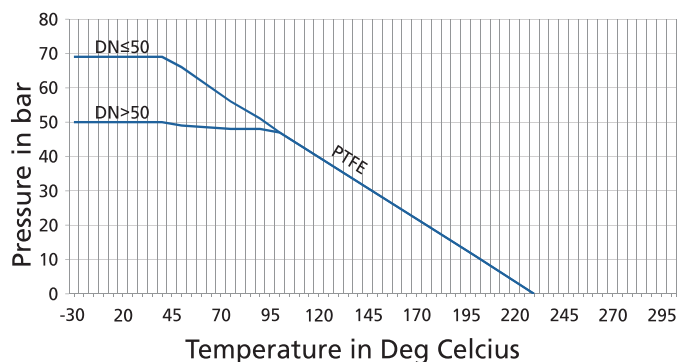


FEATURES

- Full Port (DN6 - DN50)
- Investment Casting
- Economical
- Bi-directional
- Blowout Proof Stem
- High Integrity Stem Sealing
- Mirror Finished Stainless Steel Ball



PRESSURE - TEMPERATURE RATING



BILL OF MATERIAL

No.	Parts Name	Material	
1	Body	ASTM A351 Gr. CF8	ASTM A351 Gr. CF8M
2	Cap	ASTM A351 Gr. CF8	ASTM A351 Gr. CF8M
3	Ball	ASTM A351 Gr. CF8	ASTM A351 Gr. CF8M
4	Stem	AISI SS304	AISI SS316
5	Gland	AISI SS304	AISI SS316
6	Seat Ring	PTFE	PTFE
7	'O' Ring	PTFE	PTFE
8	Gland Packing	PTFE	PTFE
9	Gland Nut	AISI SS304	AISI SS304
10	Lever Nut	AISI SS304	AISI SS304
11	Lever	SS	SS

STANDARDS AND TESTING

Design and Manufacturing	BS 5351
Testing	ISO 5208 / API 598
End Connection	Screwed End BSP / NPT
Shell - Hydrostatic	32 bar
Seat - Hydrostatic	21 bar
Seat - Pneumatic	7 bar

★ Special Material and Requirement available on request
 ★★ Discount :

DIMENSIONS (mm)

Size	F/B	F/F	C	L	Wt. (Kgs)	Torque(Nm)
DN6	11.5	48.5	11.5	94	0.17	5
DN10	11.5	48.5	11.5	94	0.17	5
DN15	12.5	58.5	12	110	0.27	5
DN20	19	68.5	13	135	0.37	5
DN25	25.2	76.5	16	140	0.62	12
DN32	32	90	18.5	185	1.03	15
DN40	38	100	18	205	1.35	18
DN50	50	118	21	205	2.18	38