



AMCO

Estd 1986

AMCO INDUSTRIAL VALVES

● MANUFACTURERS ● EXPORTERS

3 PC. BALL VALVE SCREWED / SOCKET (800#)

PRODUCT DATA SHEET

AIV - A03

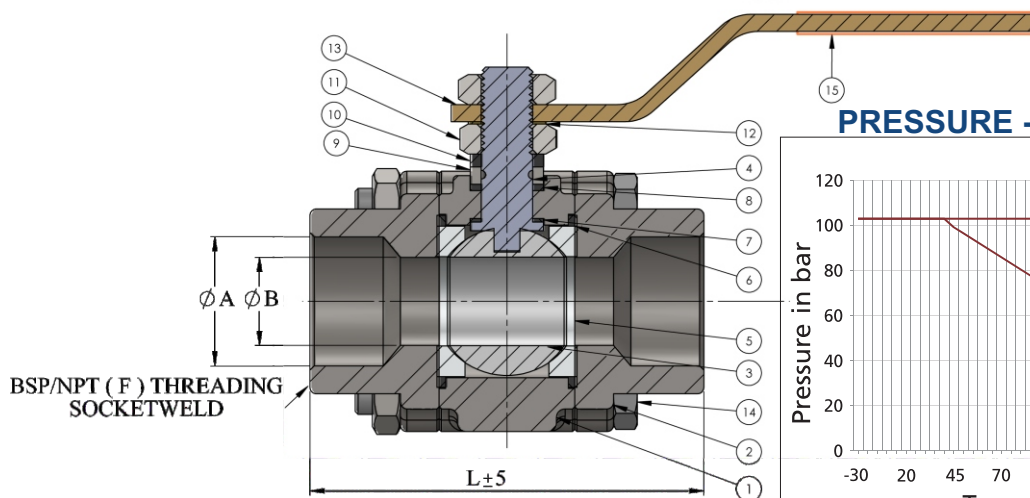


FEATURES

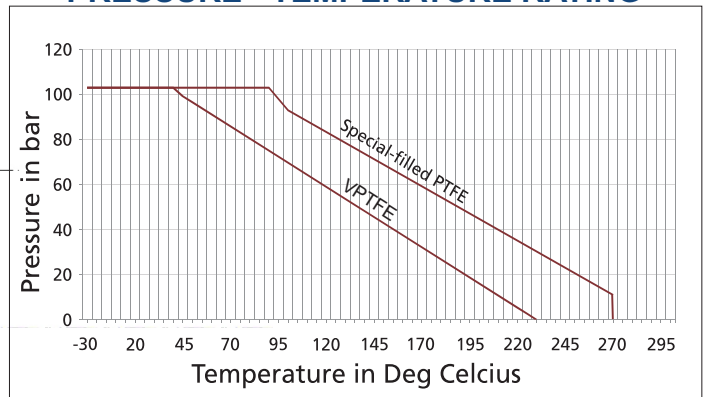
- 3Pc Design - Regular Bore
- Floating Ball Design
- Mirror Finished SS Ball
- Blowout Proof Stem
- Moulded PTFE / RPTFE Seats with Slots
- Leak Tight Stem Sealing & Gland Packing (35% Carbon Filled PTFE)

On-line Service

Three-piece Ball Valves are designed for easy on-line service. To access the valve internals, remove three connector bolts and swing the body out using the fourth bolt as a pivot.



PRESSURE - TEMPERATURE RATING



BILL OF MATERIAL

No.	Parts Name	Material		
1	Body	ASTM A351 Gr.CF8M	ASTM A351 Gr.CF8	ASTM A105
2	End Piece	ASTM A351 Gr.CF8M	ASTM A351 Gr.CF8	ASTM A216 Gr.WCB
3	Ball	ASTM A351 Gr.CF8M	ASTM A351 Gr.CF8	ASTM A351 Gr.CF8
4	Stem	ASTM A276 - SS316	ASTM A276 - SS304	ASTM A276 - SS304
5	Ball Seat	VPTFE	VPTFE	VPTFE
6	Body Seal	VPTFE	VPTFE	VPTFE
7	Stem Seal	35% C FILLED PTFE	35% C FILLED PTFE	35% C FILLED PTFE
8	Gland Seal	35% C FILLED PTFE	35% C FILLED PTFE	35% C FILLED PTFE
9	Gland	ASTM A276 - SS316	ASTM A276 - SS304	ASTM A276 - SS304
10	Spring Washer	SS	SS	SPRING STEEL
11	Lock Nut	SS	SS	HIGH TENSILE
12	Lock Washer	SS	SS	MS (HDG)
13	HandLever	SS	SS	MS (HDG)
14	Fasteners	SS	SS	HIGH TENSILE
15	Lever Sleeve	PVC	PVC	PVC

STANDARDS AND TESTING

Design and Mfg.	BS 5351
Testing	BS 6755 PART 1
End Connection	BSP(F) / NPT(F) / Socket Weld Screwed ASME B1.20.1 Socket Weld ASME B16.11
Shell - Hydrostatic	104 bar
Seat - Hydrostatic	69 bar
Seat - Pneumatic	7 bar

★ *Special Material and Requirement available on request*

★★ *Discount :*

DIMENSIONS (mm)

SIZE	L	ΦB	L1	H	THREADING BSP/NPT (F)	SOCKETWELD BORE ΦA	TORQUE (Nm)	WEIGHT Kg.
DN6	67	10	131	44	1/4"	14.1	6.5	0.65
DN10	67	10	131	44	3/8"	17.5	6.5	0.65
DN15	67	10	131	44	1/2"	21.7	6.5	0.65
DN20	73	13	131	47	3/4"	27	6.5	0.90
DN25	95.5	19	155	62	1"	33.8	9	1.60
DN32	102	25	155	66	1 1/4"	42.5	16	2.30
DN40	115.5	32	190	80	1 1/2"	48.6	23	3.20
DN50	127.5	38	190	82	2"	61.1	34	4.20