



AMCO

Estd 1986

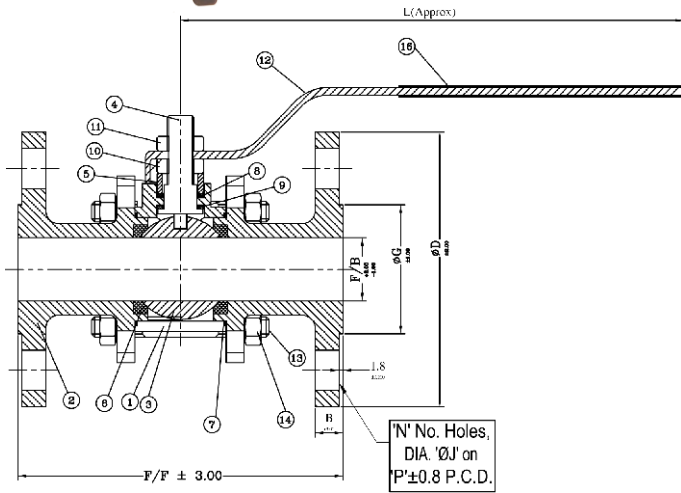
AMCO INDUSTRIAL VALVES

● MANUFACTURERS ● EXPORTERS

3PC BALL VALVE FLANGED 150#

PRODUCT DATA SHEET

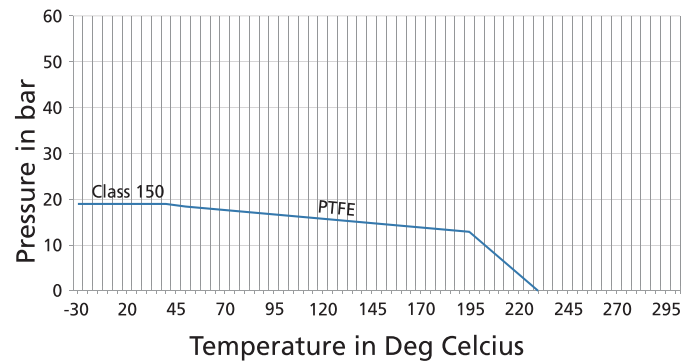
AIV - A05



FEATURES

- Full Port (DN15 - DN150)
- Investment Casting
- Bi-directional
- Blowout Proof Stem
- High Integrity Stem Sealing
- Mirror Finished Stainless Steel Ball

PRESSURE - TEMPERATURE RATING



BILL OF MATERIAL

No.	Parts Name	Material		
1	Body	ASTM A351 Gr. CF8M	ASTM A351 Gr. CF8	ASTM A216 Gr. WCB
2	End Piece	ASTM A351 Gr. CF8M	ASTM A351 Gr. CF8	ASTM A216 Gr. WCB
3	Ball	ASTM A351 Gr. CF8M	ASTM A351 Gr. CF8	ASTM A351 Gr. CF8
4	Stem	AISI SS316	AISI SS304	AISI SS304
5	Gland	AISI SS304	AISI SS304	AISI SS304
6	Ball Seat	PTFE	PTFE	PTFE
7	Body Seal	PTFE	PTFE	PTFE
8	Gland Packing	PTFE	PTFE	PTFE
9	Stem Seal	PTFE	PTFE	PTFE
10	Gland Nut	AISI SS304	AISI SS304	MS
11	Lever Nut	AISI SS304	AISI SS304	MS
12	Lever	SS	SS	MS
13	Stud	AISI SS304	AISI SS304	MS
14	Stud Nut	AISI SS304	AISI SS304	MS
15	Stud Washer	SS	SS	MS
16	Lever Sleeve	PVC	PVC	PVC

STANDARDS AND TESTING

Design and Mfg.	BS 5351
Testing	BS 6755 Part I
End Connection	Flanged ASME B16.5 150# RF
Face to Face	ASME B16.10
Shell - Hydrostatic	32 kg/cm ²
Seat - Hydrostatic	22 kg/cm ²
Seat - Pneumatic	7 kg/cm ²

- ★ *Special Material and Requirement available on request*
- ★ *DN40 and above size's have hollow ball*
- ★★ *Discount*

DIMENSIONS (mm)

Size	F/B	F/F	φD	B	φG	P	φJ	N	L	T (Nm)	Wt.(Kg.)
DN15	12.5	108	89	10	35	60.5	16	4	127	5	1.2
DN20	19	118	98.5	11	43	70	16	4	145	8	1.7
DN25	25.2	127	108	11	51	9.5	16	4	160	10	2.3
DN32	32	140	114	13	64	89	16	4	180	13	3
DN40	38	165	125	14.5	73	98.5	16	4	220	19	5.1
DN50	50	178	150	16	92	120.5	19	4	220	31	6.4
DN65	63	190	178	17.5	105	140	19	4	295	58	10
DN80	76	203	191	19	127	152.5	19	4	295	83	17
DN100	101	229	229	24	157	190.5	19	8	395	120	23
DN125	127	254	254	24.5	186	216	22	8	580	152	39
DN150	152	266	279.5	25.5	216	241.5	22	8	580	345	52.5