

PRECISION REGULATOR

SHAVO
FIRST NAME IN PNEUMATICS

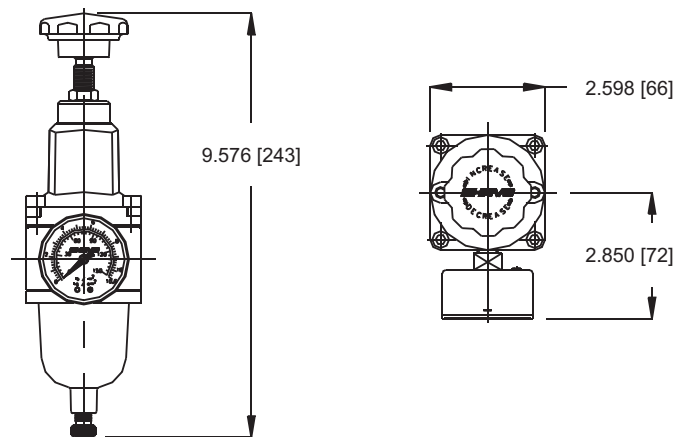
11-4SN (G ¼, G ½)

FEATURES

- Shavo's Filter / Regulator combination unit offers extremely precise control.
- Unique valve design and large ratio of diaphragm to valve area affords highly sensitive performance.
- Specially designed to meet instrumentation requirements.
- Metal bowl on combination unit resists corrosive and chemical atmosphere.
- Also available as Pressure Regulator only.



PARAMETERS	SPECIFICATIONS		
Pipe Threads	Rc 1/4, 1/2	Taper (F) -	Standard
	BSP / NPT	-	Optional
Body Material	Al. Alloy die-cast		
Filter Element Size	5, 25 micron.		
Filter Element Material	Plastic (Polypropylene)	-	Standard
	Sintered Bronze	-	Optional
Filter Bowl Material	Al. Alloy Metal	-	Standard
Maximum Inlet Pressure	17.5 kg/cm ² (250 psig)		
Maximum Operating Temperature (ambient)	80° C (175° F)		
Standard nominal flow rate (At supply pressure of 10 bar and 1 bar drop in sec. pressure of 6 bar.	8 dm ³ / sec (17 scfm)		
Drain	Manual	-	Standard
Regulator Type	Relieving	-	Standard
	Non-Relieving	-	Optional
Pressure Adjustment	Hand wheel	-	Standard
Regulated secondary outlet pressure (spring range) and recommended Pressure gauge ranges available in kg/cm ²)		Spring Range	Gauge Range
	1	0.07 to 0.70	0 to 1.0
	2	0.21 to 2.10	0 to 2.5
	3	0.35 to 3.50	0 to 4.0
	4	0.50 to 5.00	0 to 7.0
5	0.70 to 7.00	0 to 10.0	
Gauge size	52 mm OD		
Gauge Port size	Rc 1/4		
Gauge connection	Back		
Mounting Bracket	Optional		



PRECISION FILTER / REGULATOR



11-4SN (G ¼, G ½)

Size	Flow (dm³/s)	Element (um)	Drain	Bowl	Operation	Model
1/4" NPT	2.85 dm³/sec	5	Manual	Metal	0.70 - 7.0	114SN-200M-M1KA-EN 114SN-200M-MIEA-EN 114SN-200M-M1CA-EN

Option Selector

Sample Model Number → **1 1 - 4 S N - 2 0 0 M - M 2 K A - E N**

Position → **1 2 - 3 4 5 - 6 7 8 9 - 10 11 12 13 - 14 15**

1 2 3 4 5

Instrument Filter / Regulator with S.S. Trim.

6 Pipe Size

2 = 1/4"
4 = 1/2"

7 8 Options

	Relieving				Non Relieving			
	Standard		Panel Mounting Type		Standard		Panel Mounting Type	
	Knob	Slotted Screw	Knob	Slotted Screw	Knob	Slotted Type	Knob	Slotted Screw
No Gauge	00	50	20	70	10	60	30	80
With Gauge	01	51	21	71	11	61	31	81

9 Bowl

M = Metallic (70cc)
T = Transparent P.C. (125cc)
L = Long Metallic (125 cc)

10 Drain

M = Manual Drain
A = Auto Drain (Available with 125 cc bowl only)

11 Filter Element

Plastic Element	Sint. Bronze	Stainless Steel
1 = 5 Micron 2 = 25 Micron	6 = 5 Micron 7 = 25 Micron	5 = 5 Micro 9 = 25 micron

12 Secondary Pressure Range

A = 0.07 to 0.70 kg / sq.cm
C = 0.21 to 2.10 kg / sq.cm
E = 0.35 to 3.50 kg / sq.cm
F = 0.50 to 5.00 kg / sq.cm
K = 0.70 to 7.00 kg / sq.cm
O = 0.01 to 0.14 kg/sq.cm.

13 Port Thread

	Main Ports	Gauge Ports
A	NPT	BSPT
B	BSPT	BSPT
G	BSP	BSPT
N	NPT	NPT
J	PT JAPAN	PT JAPAN

14 Elastomer Material

N = Nitrile
E = EPDM
V = Viton

15 Mounting

N = No Mounting Bracket
B = Standard Mounting Bracket
P = 2" Pipe Mounting Bracket
S = Customer's spl. Mounting Bracket